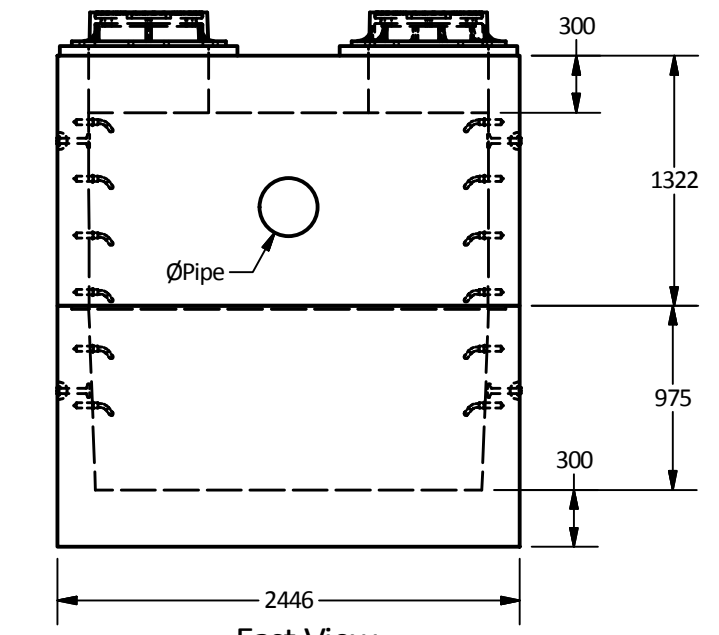
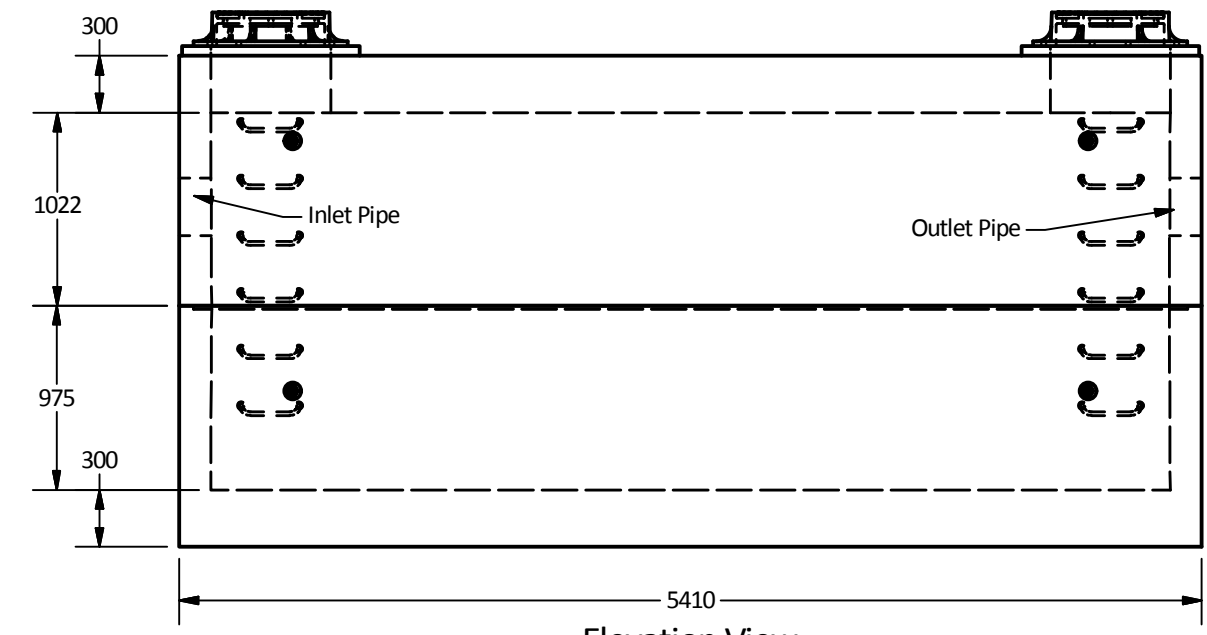
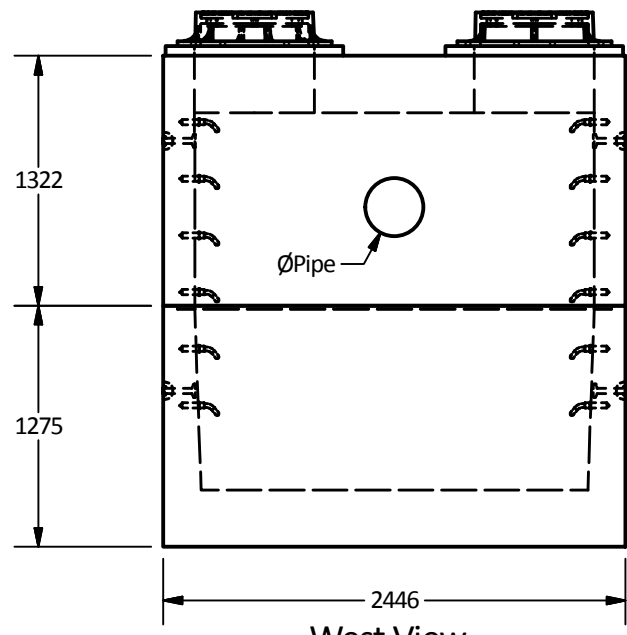
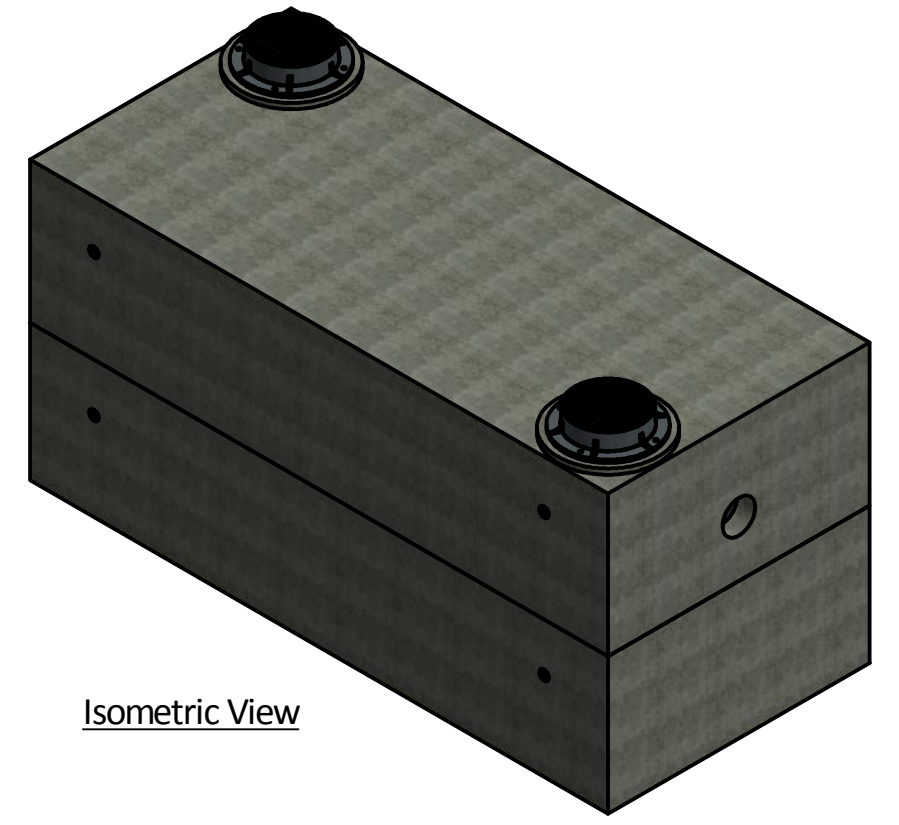
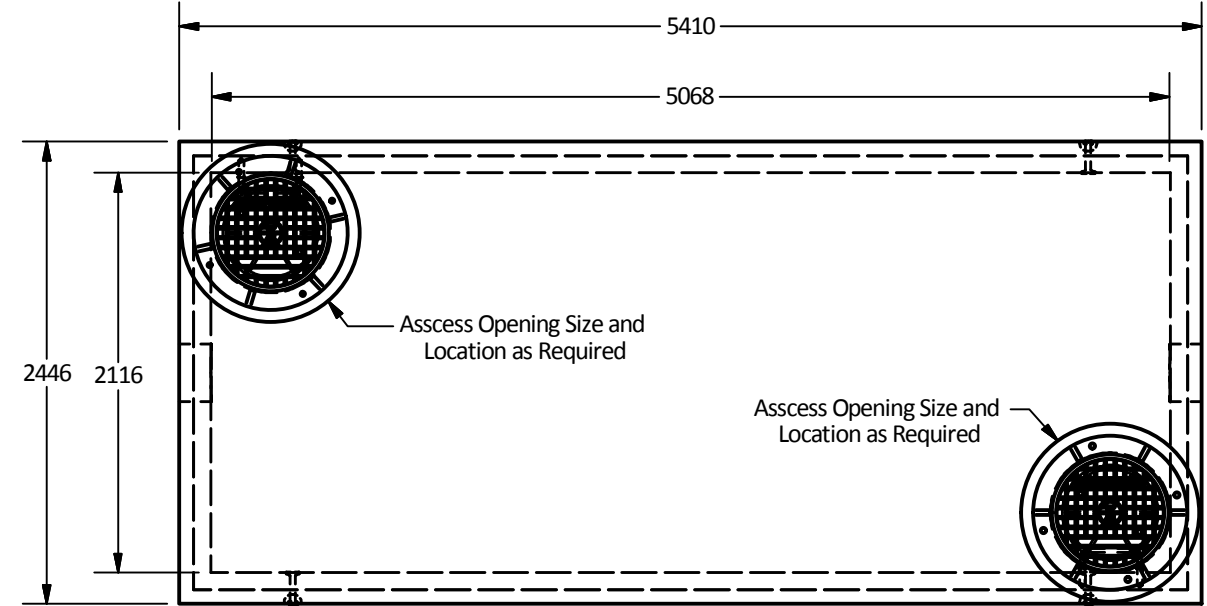


PART LIST			
ITEM	QTY	PART NUMBER	WEIGHT
1	1	5212 Vault - Bottom	16,100 kg.
2	1	5212 Vault - Top	15,600 kg.

- Notes:
- 5212 Reinforced concrete vault is built as shown.
  - Unit designed to withstand AASHTO HS20 / BCL-625 live loading.
  - Concrete vault designed for the following earth covers:
    - Minimum: 0 m.
    - Maximum: 2.5 m.
  - Unit supplied with opening for access as required.
  - Unit supplied with rough cores for inlet/outlet as required.
  - Unit supplied with ladder rungs as required.
  - Unit supplied with lifting insert as required.
  - Minimum rebar yield strength: 414 MPa.
  - Minimum concrete strength: 35 MPa.
  - Vault interior can be supplied with white paint for improved visibility/cleanliness and dampproofed exterior using CS-55 or approved equivalent.
  - All dimensions are in millimeters.



Langley Concrete Group is a certified Q-Cast Plant, an American Concrete Pipe Association Third Party Certification for the manufacture of Pipe, Manhole, Box Culvert & Precast Items.

Quality Assurance of products manufactured by The Langley Concrete Group has been verified by the following third party certification programs

All Dimensions are in Millimeters. Unless otherwise Stated

Projection Method: THIRD ANGLE

**THE Langley CONCRETE GROUP**

www.langleyconcretegroup.com

LANGLEY (604) 533-1656  
VICTORIA (250) 478-9581  
CHILLIWACK 1-800 667-9600

This drawing is the property of the Langley Concrete Group of Companies. All information contained herein is confidential and may not be used in whole or in part without written permission from the owner

DESCRIPTION:

**Vault 5212**

DRAWN BY: SR	JOB NO.
CHK BY: KS	DWG NO: 5212-V
DATE: Aug.13, 2018	
SCALE: 1:40	
SIZE: 11 x 17	REV.
	SHEET 1 OF 1