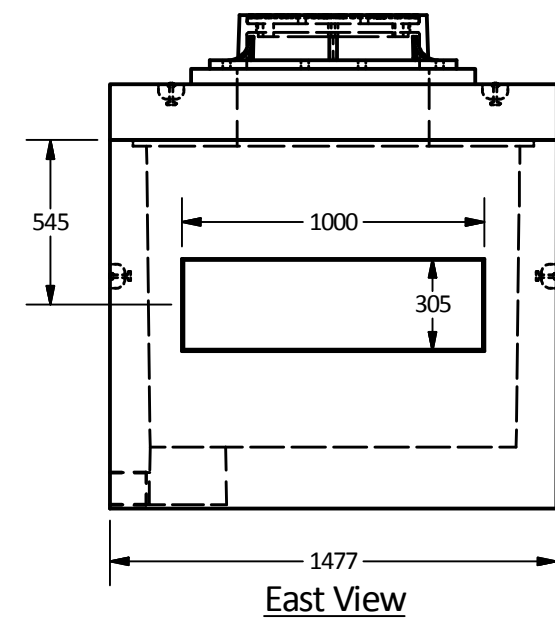
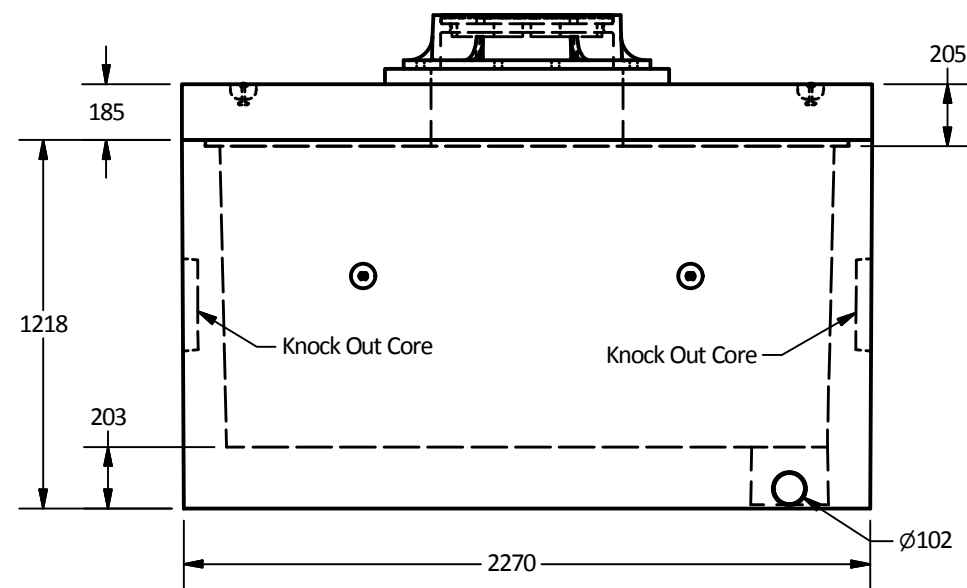
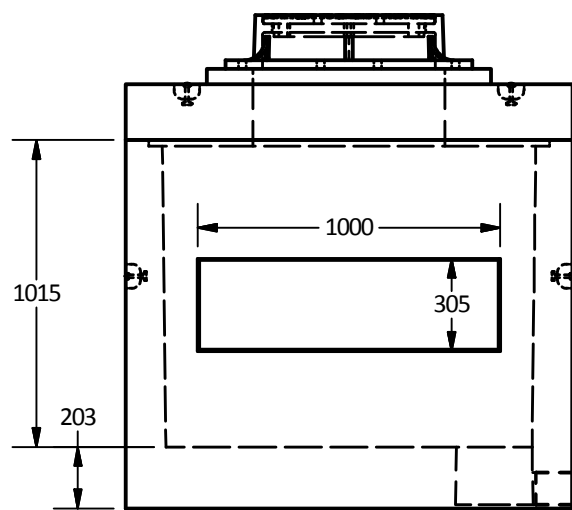
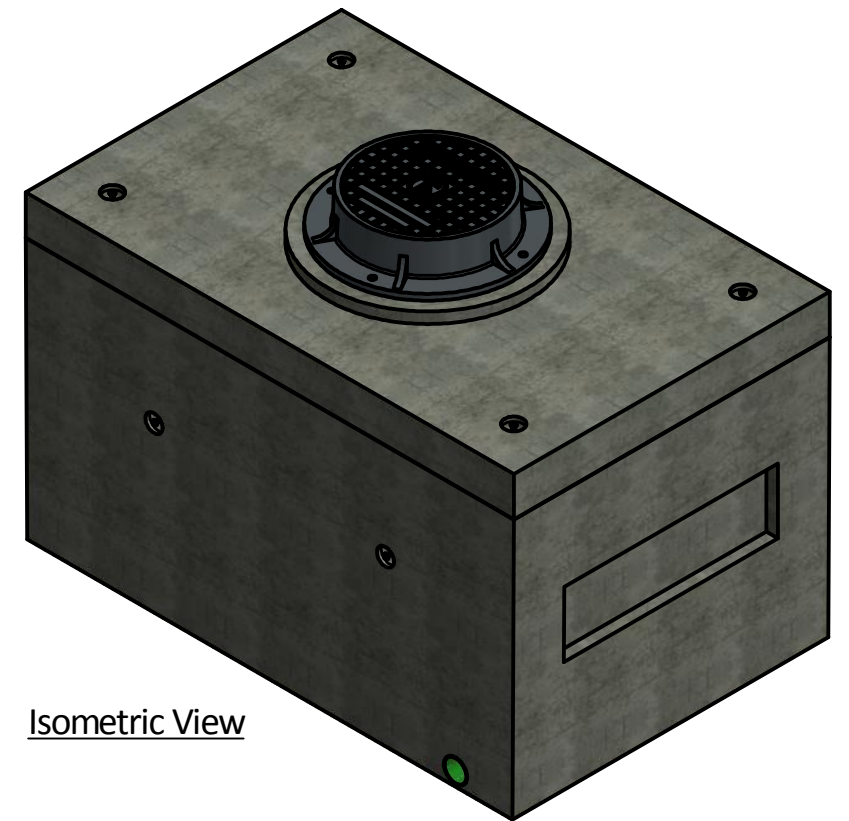
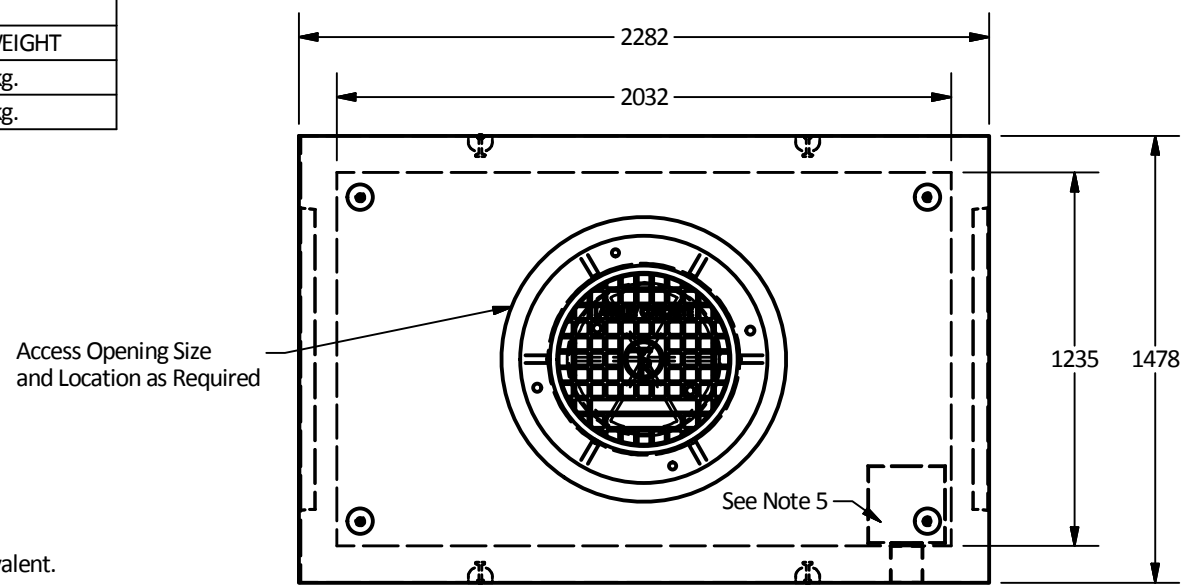


PART LIST			
ITEM	QTY	PART NUMBER	WEIGHT
1	1	2121 Vault	3,800 kg.
2	1	2121 Lid	1,510 kg.

- Notes:
- 2121 Reinforced concrete vault is built as shown.
  - Unit designed to withstand AASHTO HS20 / BCL-625 live loading.
  - Concrete vault designed for the following earth covers:
    - Minimum: 0 m.
    - Maximum: 2.5 m.
  - Vault has the 1000 x 305 mm knock-outs as shown.
  - Ø102 mm of drainage hole will be provided with 250x250 mm sump as shown.
  - Unit supplied with lifting inserts as required.
  - Lid supplied with opening for access as required.
  - Minimum rebar yield strength: 414 MPa.
  - Minimum concrete strength: 35 MPa.
  - Vault interior can be supplied with white paint for improved visibility/cleanliness and damproofed exterior using CS-55 or approved equivalent.
  - All dimensions are in millimeters.



Langley Concrete Group is a certified Q-Cast Plant, an American Concrete Pipe Association Third Party Certification for the manufacture of Pipe, Manhole, Box Culvert & Precast Items.



Quality Assurance of products manufactured by The Langley Concrete Group has been verified by the following third party certification programs



All Dimensions are in Millimeters. Unless otherwise Stated

Projection Method: THIRD ANGLE



LANGLEY (604) 533-1656  
VICTORIA (250) 478-9581  
CHILLIWACK 1-800 667-9600

This drawing is the property of the Langley Concrete Group of Companies. All information contained herein is confidential and may not be used in whole or in part without written permission from the owner

DESCRIPTION:

Vault 2121

DRAWN BY: SR

JOB NO.

CHK BY: KS

DWG NO: V-2121

DATE: Aug.10, 2018

SCALE: 1:25

SIZE: 11 x 17

REV.

SHEET 1 OF 1