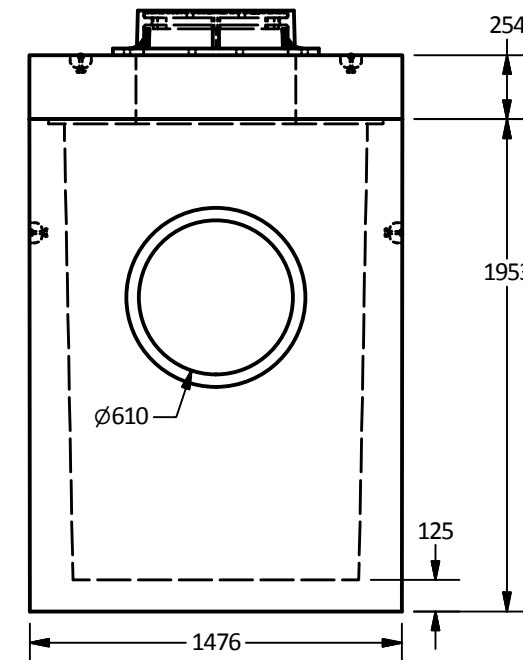
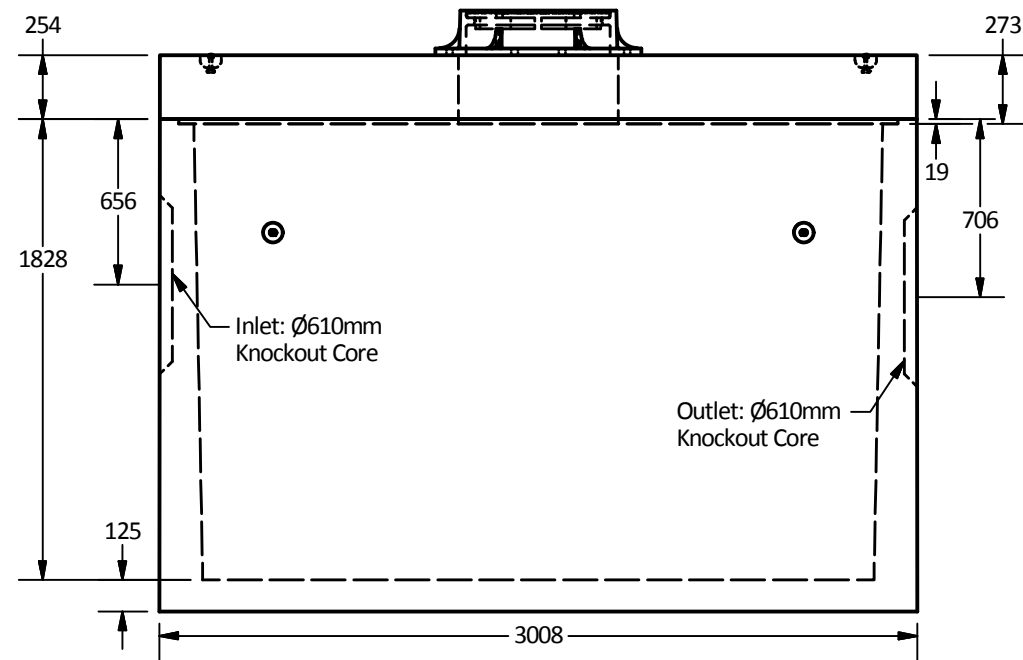
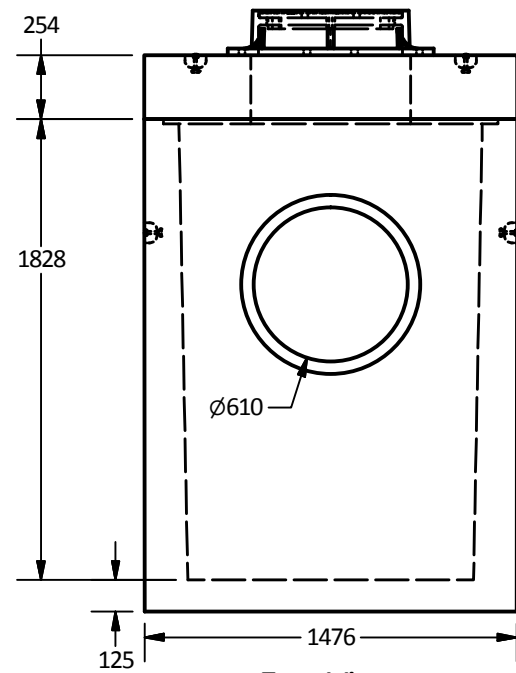
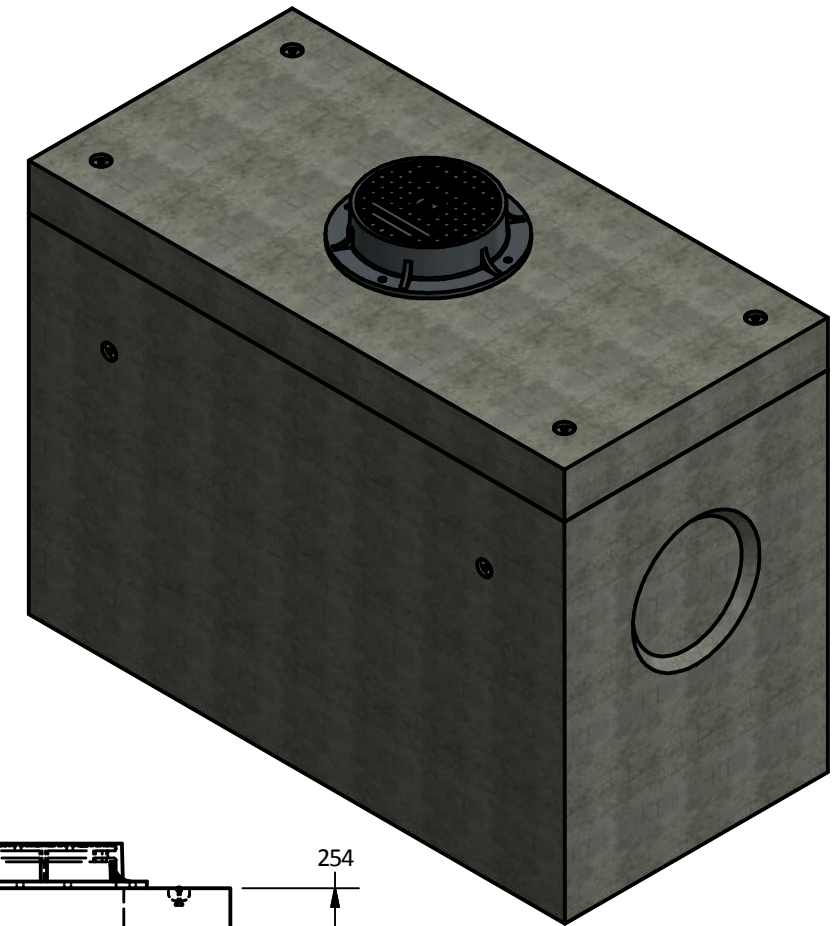
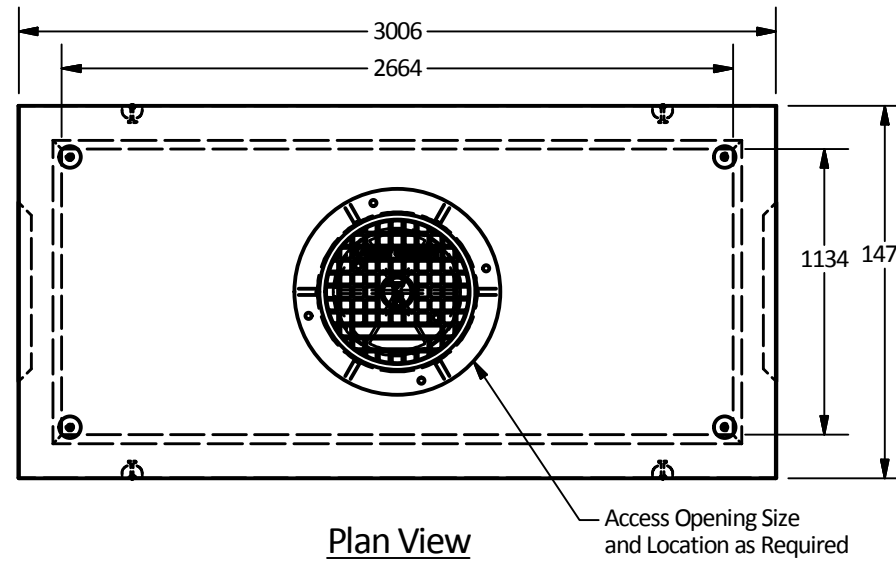


PART LIST			
ITEM	QTY	PART NUMBER	WEIGHT
1	1	Type III Vault	7,100 kg.
2	1	Type III Lid	2,730 kg.

Notes:

- Type III Reinforced concrete vault is built as shown.
- Unit designed to withstand AASHTO HS20 / BCL-625 live loading.
- Concrete vault designed for the following earth covers:
 - Minimum: 0 m.
 - Maximum: 2.5 m.
- Unit supplied with Ø610mm knockout cores for inlet/outlet as shown.
- Unit supplied with lifting inserts as required.
- Unit risers available in heights: 305, 450 etc up to 1800mm maximum.
- Design can be modified for specific sites, please contact LCG sales office.
- Minimum rebar yield strength: 414 MPa.
- Minimum concrete strength: 35 MPa.
- Vault interior can be supplied with white paint for improved visibility/cleanliness and damproofed exterior using CS-55 or approved equivalent.
- All dimensions are in millimeters.



Langley Concrete Group is a certified Q-Cast Plant, an American Concrete Pipe Association Third Party Certification for the manufacture of Pipe, Manhole, Box Culvert & Precast Items.



Quality Assurance of products manufactured by The Langley Concrete Group has been verified by the following third party certification programs



All Dimensions are in Millimeters. Unless otherwise Stated

Projection Method: THIRD ANGLE



LANGLEY (604) 533-1656
VICTORIA (250) 478-9581
CHILLIWACK 1-800 667-9600

This drawing is the property of the Langley Concrete Group of Companies. All information contained herein is confidential and may not be used in whole or in part without written permission from the owner

DESCRIPTION:

Vault Type III

DRAWN BY: SR		JOB NO.
CHK BY: KS		DWG NO: V-TYPE III
DATE: Aug.14, 2018		
SCALE: 1:30		
SIZE 11 x 17	REV.	SHEET 1 OF 1