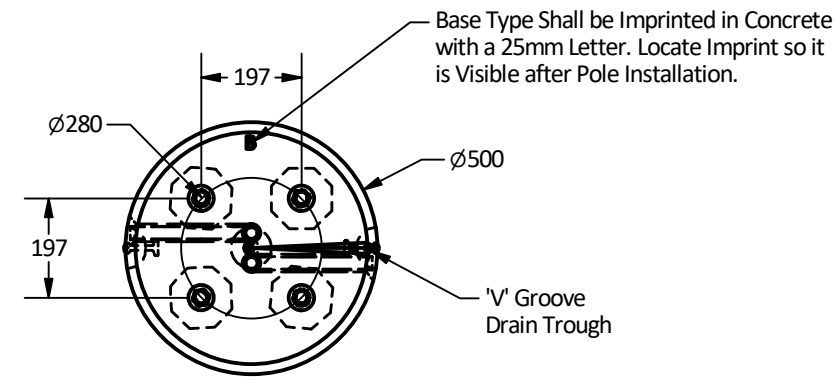
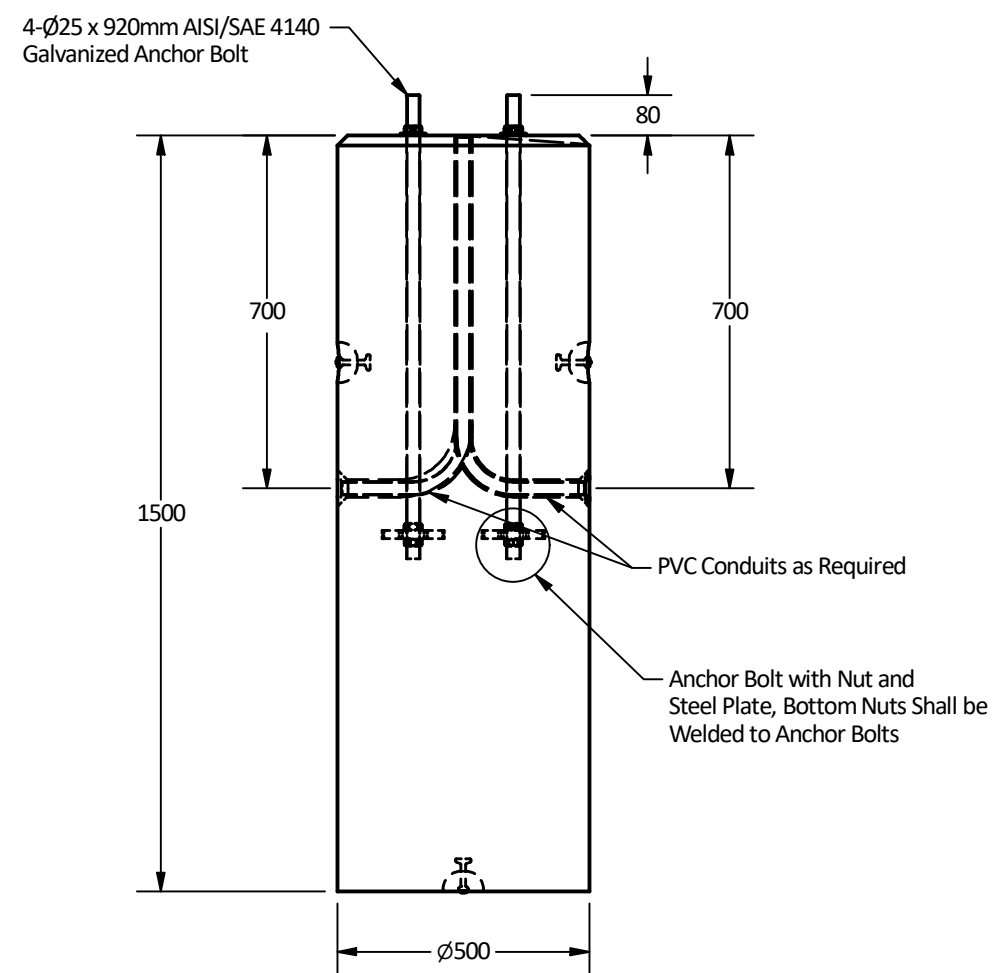


PART LIST			
ITEM	QTY	PART NUMBER	WEIGHT
1	1	Type B Pole Base	760 kg. (1500mm Height)
2	3	2.5T x 65 Lifting Inserts	
3	4	25 x 920 Galvanized Anchor Bolts	



Plan View



Elevation View



Isometric View

- Notes:
- "Type B" concrete pole base to be built as shown.
  - Unit supplied with 4- $\phi 25 \times 920$ mm, 197mm c/c AISI/SAE 4140 galvanized anchor bolts inserted as shown. For more details see MMCD DWG# CE1.2 & CE1.15.
  - Unit supplied with lifting inserts as required.
  - Unit supplied with nuts and washers as required.
  - Unit supplied with conduits as required.
  - Minimum concrete strength: 30 MPa.
  - All dimensions are in millimeters.
  - Installation & backfilling is the responsibility of others.
  - V- Groove Drain Trough to Start at Zero Depth in Centre of Base to 10mm at the Outside edge. Align with Conduit.

**Note: 25mm Spacing Between Conduit**

Langley Concrete Group is a certified Q-Cast Plant, an American Concrete Pipe Association Third Party Certification for the manufacture of Pipe, Manhole, Box Culvert & Precast Items.

Quality Assurance of products manufactured by The Langley Concrete Group has been verified by the following third party certification programs

All Dimensions are in Millimeters. Unless otherwise Stated

Projection Method: THIRD ANGLE

The LANGLEY CONCRETE Group of Companies

www.langleyconcretegroup.com  
 LANGLEY (604) 533-1656  
 VICTORIA (250) 478-9581  
 CHILLIWACK 1-800 667-9600

This drawing is the property of the Langley Concrete Group of Companies. All information contained herein is confidential and may not be used in whole or in part without written permission from the owner

DESCRIPTION:

Precast Concrete Pole Base  
 Type B  
 MMCD Specification

DRAWN BY:	BY	JOB NO.
CHK BY:	KS	DWG NO: LPB-TYPE B-MMCD
DATE:	Nov.29, 2019	LC NO:
SCALE:	1:15	MU NO:
SIZE	11 x 17	REV.
		SHEET 1 OF 1